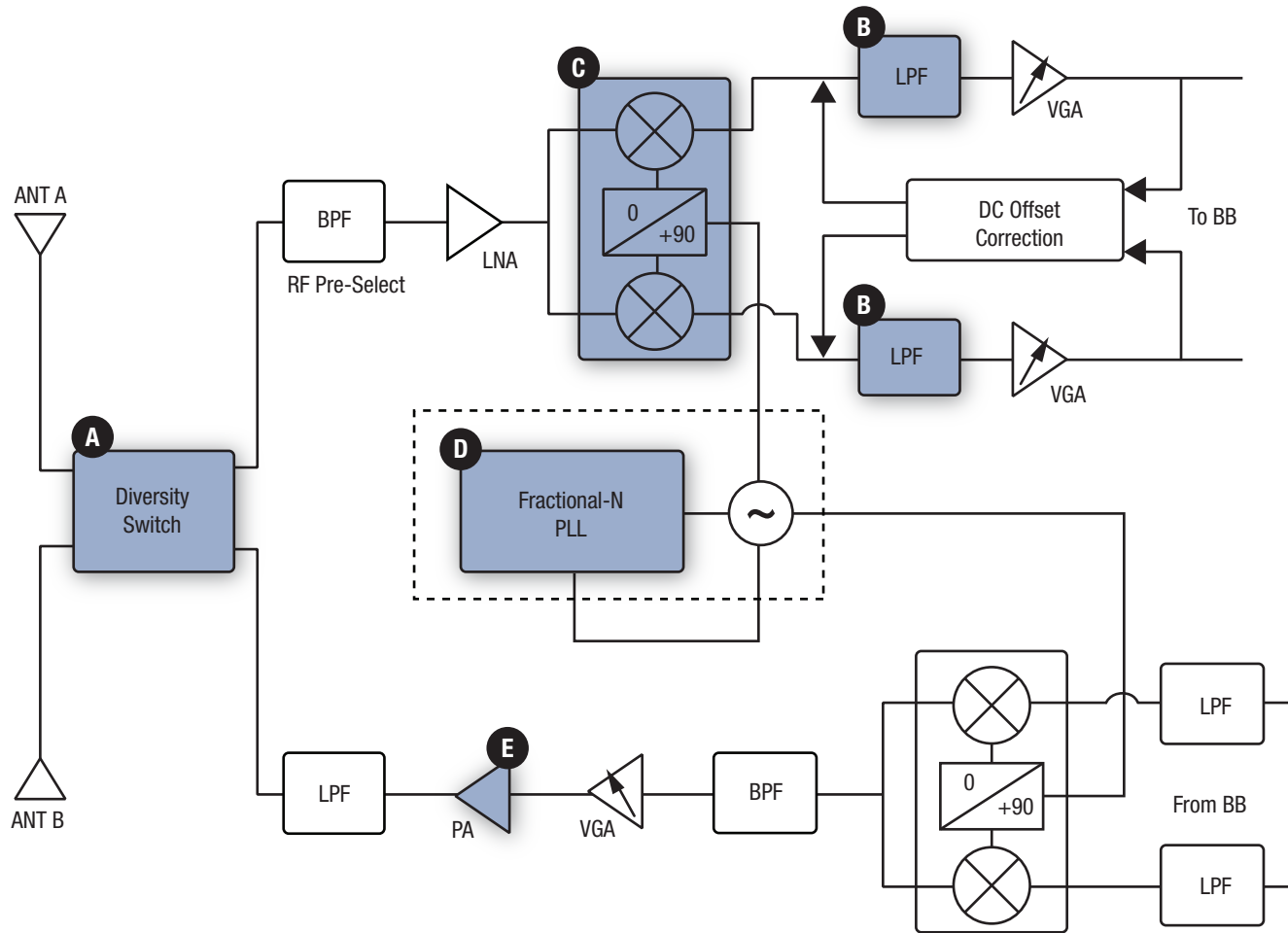


# 3.5 GHz Direct Conversion Architecture

Part numbers link to product information



## Switches

- A** AS179-92LF
- AS218-321LF
- SKY13267-321LF
- SMP1340 Series
- SMP1345 Series
- SMP1320 Series
- SMP1352 Series
- SKY13314-314LF
- SKY13348-374LF

## Programmable Low Pass Filters

- B** SKY73201-364LF
- SKY73202-364LF

## Demodulators

- C** SKY73012

## Synthesizer

- D** SKY72302
- SKY73134

## Power Amplifiers

- E** SKY65013
- SKY65014
- SKY65015
- SKY65017