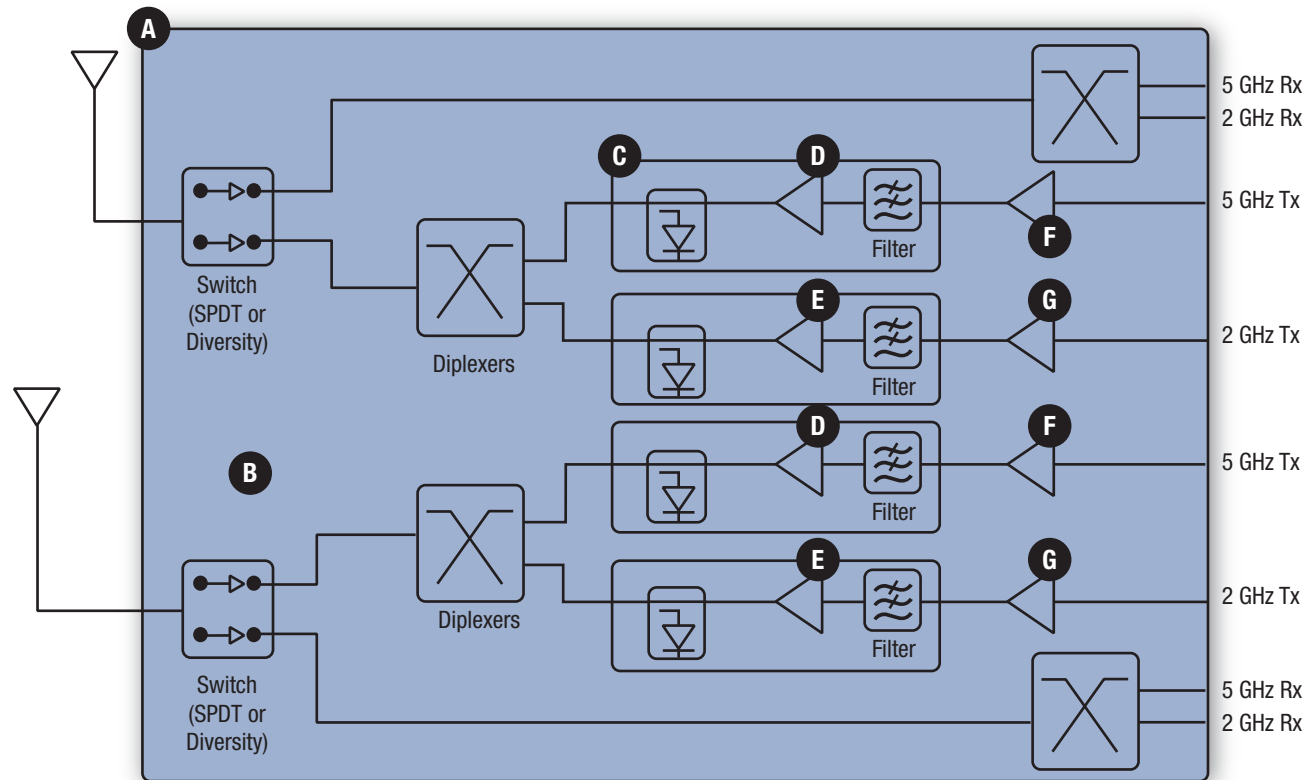


# WIRELESS LAN FEM FOR 802.11a,b,g,n SINGLE AND DUAL-BAND APPLICATIONS MULTIPLE ANTENNA CONFIGURATIONS



## Front-End Module

- A** SKY65225-11  
SKY65249  
SKY65296  
SKY65550

## Switches

- B** SKY13267-321LF  
SKY13268-344LF  
SKY13276-334  
SKY13306-313LF  
SKY13309-370LF  
SKY13314-374LF  
SKY13317-373LF  
SKY13318-321LF

## PIN Diodes

- C** SMP1321-508  
SMP1340-079LF  
SMP1340-508  
SMP1345-518  
SMV1345-040LF

## 5.6 GHz Power Amplifier

- D** SKY65137  
SKY65157

## 2.4 GHz Power Amplifiers

- E** SKY65006  
SKY65132  
SKY65135  
SKY65152  
SKY65165

## Ultra Low Noise Amplifiers

- F** SKY65404-11
- G** SKY65405-11  
SKY65047